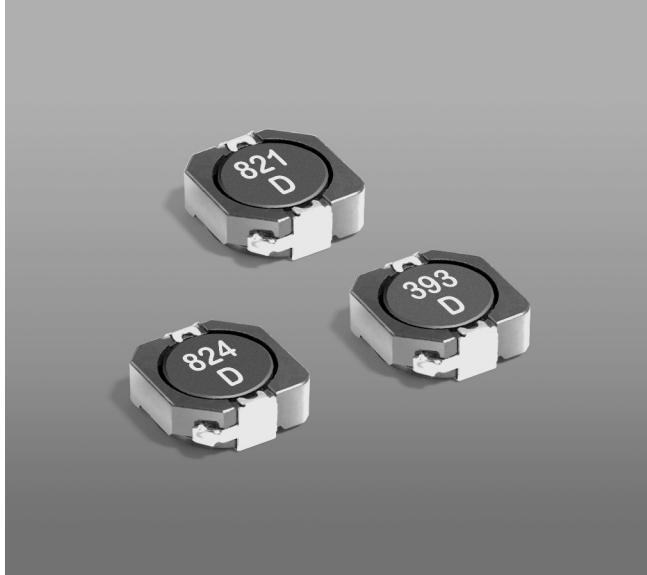


# High Temp Power Inductors MSS1048T



- 10.0 × 10.2 mm footprint; 4.8 mm high shielded inductors
- Designed for ambient temperatures up to 165°C.
- AEC-Q200 qualified
- Very low DCR and excellent current handling

**Core material** Ferrite

**Core and winding loss** See [www.coilcraft.com/coreloss](http://www.coilcraft.com/coreloss)

**Terminations** RoHS compliant matte tin over nickel over copper. Other terminations available at additional cost.

**Weight:** 1.7 – 1.9 g

**Ambient temperature** –40°C to +125°C with (40°C rise) Irms current.

**Maximum part temperature** +165°C (ambient + temp rise). [Derating](#).

**Storage temperature** Component: –40°C to +165°C.

Tape and reel packaging: –40°C to +80°C

**Resistance to soldering heat** Max three 40 second reflows at +260°C, parts cooled to room temperature between cycles

**Moisture Sensitivity Level (MSL)** 1 (unlimited floor life at <30°C / 85% relative humidity)

**Packaging** 200/7" reel; 800/13" reel; Plastic tape: 24 mm wide, 0.35 mm thick, 16 mm pocket spacing, 5.1 mm pocket depth

**PCB washing** Tested to MIL-STD-202 Method 215 plus an additional aqueous wash. See [Doc787\\_PCB\\_Washing.pdf](#).

Part number <sup>1</sup>	Inductance <sup>2</sup> (µH)	DCR max (mΩ)	SRF typ <sup>3</sup> (MHz)	Isat (A) <sup>4</sup>			Irms (A) <sup>5</sup>	
				10% drop	20% drop	30% drop	20°C rise	40°C rise
MSS1048T-801NL_	0.8±30%	4.3	180	9.60	12.0	14.1	8.19	12.0
MSS1048T-152NL_	1.5±30%	5.1	90	5.44	7.80	10.5	7.41	10.8
MSS1048T-222NL_	2.2±30%	7.2	70	4.92	6.62	8.40	6.63	9.78
MSS1048T-332NL_	3.3±30%	10.0	50	4.62	6.32	7.38	5.04	7.22
MSS1048T-472NL_	4.7±30%	11.5	38	4.36	5.62	6.46	4.90	6.90
MSS1048T-682NL_	6.8±30%	16.3	35	3.60	5.00	5.94	4.52	6.01
MSS1048T-822NL_	8.2±30%	20.0	28	3.14	4.14	4.84	4.38	5.71
MSS1048T-103ML_	10±20%	23.0	24	3.08	3.84	4.32	3.99	4.79
MSS1048T-153ML_	15±20%	36.0	20	2.46	3.06	3.44	3.51	4.26
MSS1048T-223ML_	22±20%	50.0	12	2.36	2.90	3.28	2.86	3.58
MSS1048T-333ML_	33±20%	68.0	11	1.66	2.14	2.42	2.12	2.80
MSS1048T-473ML_	47±20%	120	10	1.44	1.86	2.20	1.83	2.42
MSS1048T-563ML_	56±20%	126	10	1.36	1.70	1.90	1.71	2.28
MSS1048T-683ML_	68±20%	176	7.0	1.28	1.60	1.70	1.39	1.88
MSS1048T-823ML_	82±20%	196	6.0	1.08	1.44	1.64	1.23	1.67
MSS1048T-104ML_	100±20%	224	6.0	0.99	1.20	1.36	1.09	1.48
MSS1048T-154KL_	150±10%	330	5.0	0.79	1.02	1.16	0.97	1.33
MSS1048T-184KL_	180±10%	360	4.5	0.75	0.92	1.02	0.89	1.24
MSS1048T-224KL_	220±10%	394	4.5	0.67	0.84	0.95	0.85	1.18
MSS1048T-334KL_	330±10%	748	3.0	0.57	0.69	0.76	0.57	0.82
MSS1048T-474KL_	470±10%	886	2.7	0.43	0.52	0.62	0.50	0.72

1. Please specify **termination** and **packaging** codes:

MSS1048T-334KLC

**Termination:** L = RoHS compliant matte tin over nickel over copper.

**Special order:**

**T** = RoHS tin-silver-copper

(95.5/4/0.5) or

**S** = non-RoHS tin-lead (63/37).

**Packaging:** C = 7" machine-ready reel. EIA-481 embossed plastic tape (200 parts per full reel). Quantities less than full reel available: in tape (not machine ready) or with leader and trailer (\$25 charge).

**B** = Less than full reel. In tape, but not machine ready. To have a leader and trailer added (\$25 charge), use code letter C instead.

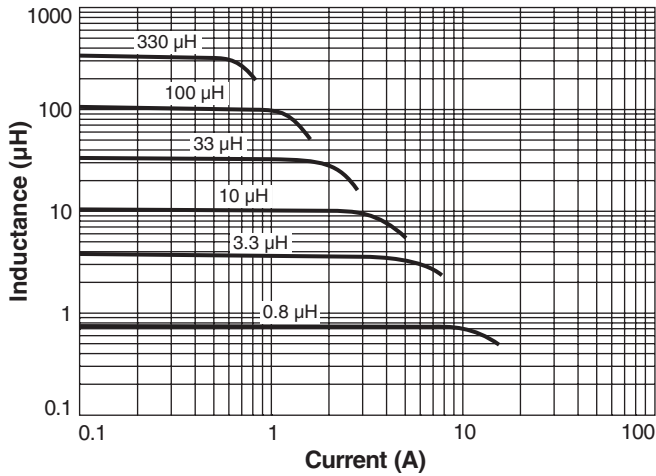
**D** = 13" machine-ready reel. EIA-481 embossed plastic tape. Factory order only, not stocked (800 parts per full reel).

2. Inductance measured at 100 kHz, 0.1 Vrms, 0 Adc using an Agilent/HP 4263B LCR meter or equivalent.
3. SRF measured using an Agilent/HP 8753D or equivalent.
4. DC current at 25°C that causes the specified inductance drop from its value without current. [Click for temperature derating information.](#)
5. Current that causes the specified temperature rise from 25°C ambient. This information is for reference only and does not represent absolute maximum ratings. [Click for temperature derating information.](#)
6. Electrical specifications at 25°C. Refer to Doc 362 "Soldering Surface Mount Components" before soldering.

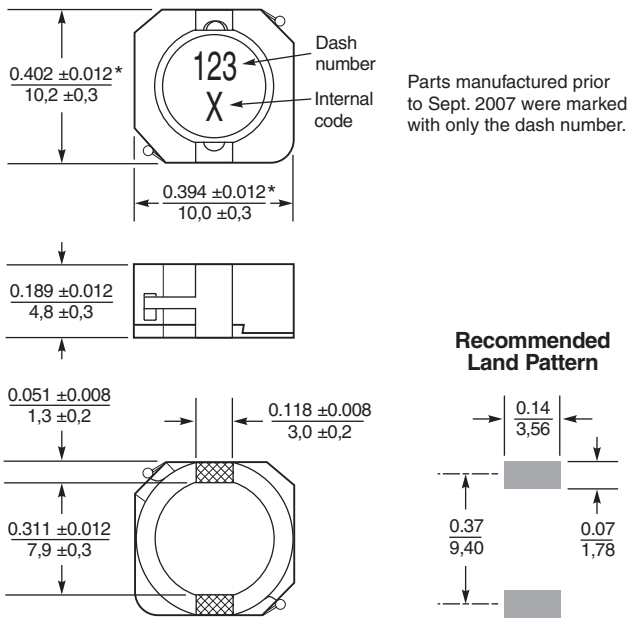
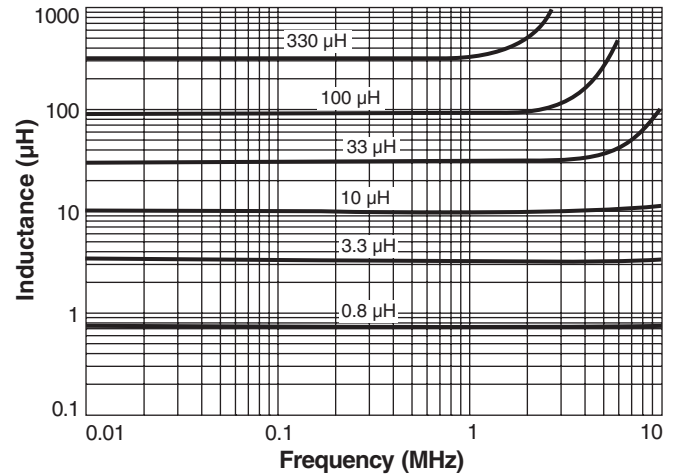
# HIGH TEMPERATURE

## Shielded Power Inductors – MSS1048T

### Typical L vs Current



### Typical L vs Frequency



\*Dimensions are of the case not including the termination.  
For maximum overall dimensions including the termination, add 0.005 in / 0,13 mm.

Dimensions are in  $\frac{\text{inches}}{\text{mm}}$

