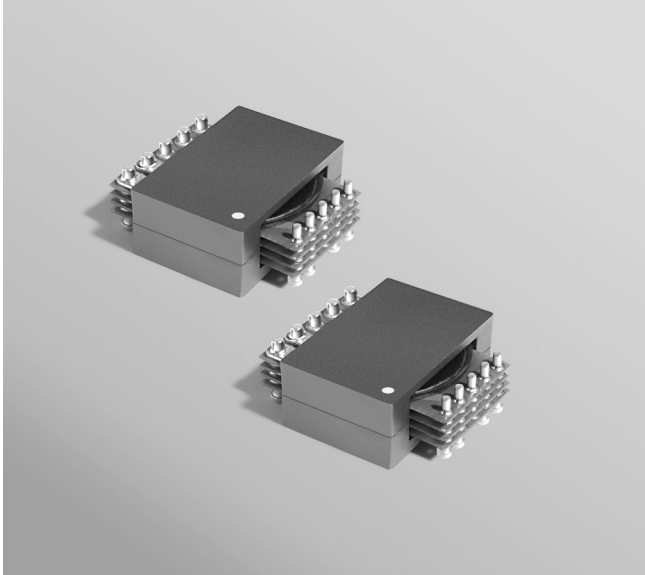


SMT Planar Transformer

For TI LM5035
PWM Controller



The DA2025-AL surface mount planar transformer is approved by Texas Instruments for use with its LM5035 PWM Controller with Integrated 105 V Half-Bridge and SyncFET Drivers. It is listed in AN-1435 LM5035 Evaluation Board Application Note.

This transformer is designed for 100 Watt applications and can handle current up to 30 A. It features excellent DCR, very low leakage inductance and 1500 Vdc primary to secondary isolation.

Coilcraft can also design custom planar transformers with different turns ratios and with an auxiliary winding to meet your specific requirements.

For free evaluation samples, contact Coilcraft or visit www.coilcraft.com.

Part number ¹	Output power (W)	Output voltage (V)	Output current (A rms)	Primary inductance ² min (μH)	Leakage inductance ³ max (μH)	DCR max (mOhms)	Pri/sec isolation (Vdc)
DA2025-AL_	100	3.3	30.0	120.0	0.25	50 (pri) 2 (sec) 250 (aux)	1500

1. When ordering, please specify **packaging** code:

DA2025-ALD

Packaging: D = 13" machine ready reel. EIA-481 embossed plastic tape (200 parts per full reel). Quantities less than full reel available: in tape (not machine ready) or with leader and trailer (\$25 charge).

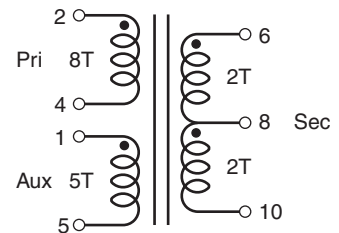
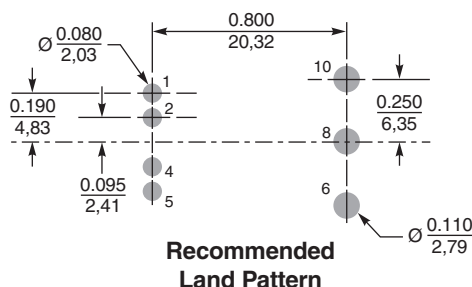
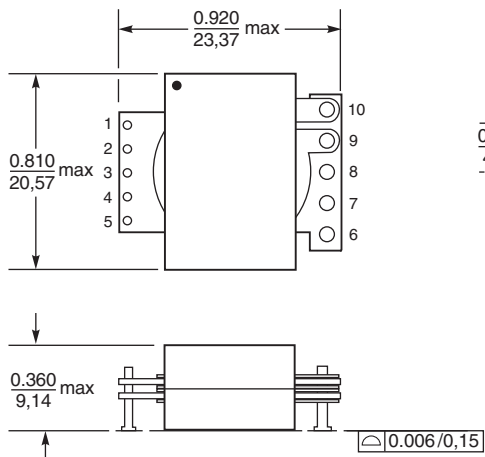
B = Less than full reel. In an effort to simplify our part numbering system, Coilcraft is eliminating the need for multiple packaging codes. When ordering, simply change the last letter of your part number from B to D.

2. Inductance measured on an Agilent/HP 4284 between pins 2 and 4 at 200 kHz, 0.1 Vrms, 0 Adc.

3. Leakage inductance measured between pins 2 and 4 at 200 kHz, 0.1 Vrms, 0 Adc with secondary pins shorted.

4. Ambient temperature range: -40°C to +85°C.

5. Electrical specifications at 25°C.



Dimensions are in $\frac{\text{inches}}{\text{mm}}$

Weight: 12.5 g
Terminations: Matte tin over nickel over brass
Tape and reel: 200/13" reel 44 mm tape width

Coilcraft
www.coilcraft.com

US +1-847-639-6400 sales@coilcraft.com
UK +44-1236-730595 sales@coilcraft-europe.com
Taiwan +886-2-2264 3646 sales@coilcraft.com.tw
China +86-21-6218 8074 sales@coilcraft.com.cn
Singapore +65-6484 8412 sales@coilcraft.com.sg

Document 488 Revised 10/20/10

© Coilcraft Inc. 2022

This product may not be used in medical or high risk applications without prior Coilcraft approval. Specification subject to change without notice. Please check web site for latest information.