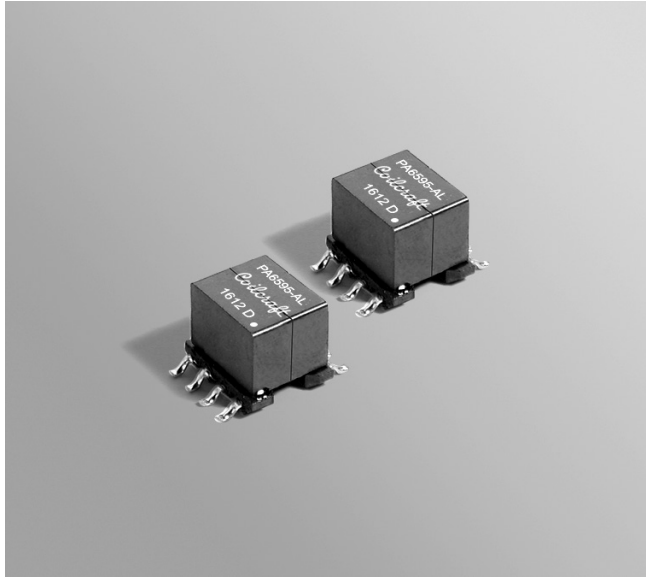


Flyback Transformers

For TI TPS23753A PoE Interface and Converter Controller



- For TI TPS23753A IEEE802.3 PoE Interface and Converter Controller
- Developed for TI PMP9068 Class 1 Isolated Synchronous Flyback Converter for PoE PD Application Reference Design
- 1500 Vrms, one minute isolation primary and bias to secondary and drive windings

Core material Ferrite

Terminations RoHS tin-silver-copper over tin over nickel over phos bronze.

Weight 2.1 g

Ambient temperature -40°C to +125°C

Maximum part temperature +135°C

Storage temperature Component: -40°C to +135°C

Tape and reel packaging: -40°C to +80°C

Resistance to soldering heat Max three 40 second reflows at +260°C, parts cooled to room temperature between cycles

Moisture Sensitivity Level (MSL) 1 (unlimited floor life at <30°C / 85% relative humidity)

Failures in Time (FIT) / Mean Time Between Failures (MTBF)

38 per billion hours / 26,315,789 hours, calculated per Telcordia SR-332

Packaging 350 per 13" reel Plastic tape: 32 mm wide, 0.45 mm thick, 20 mm pocket spacing, 9.35 mm pocket depth

PCB washing Tested to MIL-STD-202 Method 215 plus an additional aqueous wash. See [Doc787_PCB_Washing.pdf](#).

Part number ¹	L at 0A ² ±10% (µH)	LatIpk ³ min (µH)	DCR max (Ohms)				Leakage L ⁴ max (µH)		Turns ratio			Ipk ³ (A)	Output ⁵
			pri	sec	drive	bias	pri	drive	pri:sec	pri:drive	pri:bias		
PA6595-AL_	310	279.0	1.14	0.025	0.282	1.58	4.10	0.20	1:0.14	1:0.21	1:0.465	0.3	3.3 V, 0.9 A

1. When ordering, please specify **packaging** code:

PA6595-ALD

Packaging: D = 13" machine ready reel. EIA-481 embossed plastic tape (350 per full reel). Quantities less than full reel available: in tape (not machine ready) or with leader and trailer (\$25 charge).

B = Less than full reel. In an effort to simplify our part numbering system, Coilcraft is eliminating the need for multiple packaging codes. When ordering, simply change the last letter of your part number from B to D.

2. Inductance is for the primary, measured at 250 kHz, 0.1 Vrms.

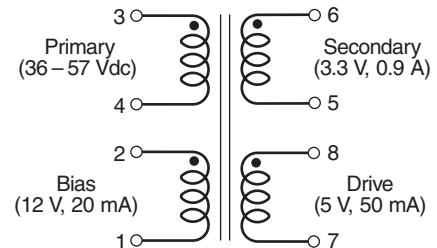
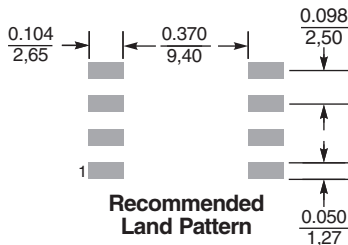
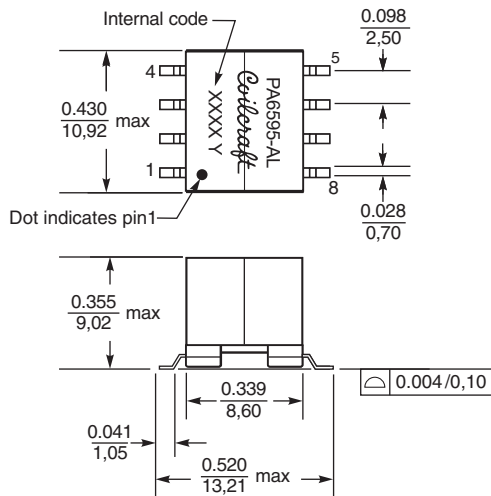
3. Peak primary current drawn at minimum input voltage.

4. Leakage inductance for the primary is with the secondary and drive windings shorted; leakage inductance for the drive winding is with the secondary windings shorted.

5. Output is of the secondary winding. Output of the bias winding is 12 V, 20 mA. Output of the drive winding is 5 V, 50 mA

6. Electrical specifications at 25°C.

Refer to Doc 362 "Soldering Surface Mount Components" before soldering.



Dimensions are in inches/mm



US +1-847-639-6400 sales@coilcraft.com
UK +44-1236-730595 sales@coilcraft-europe.com
Taiwan +886-2-2264 3646 sales@coilcraft.com.tw
China +86-21-6218 8074 sales@coilcraft.com.cn
Singapore + 65-6484 8412 sales@coilcraft.com.sg

Document 1363 Revised 01/03/17

© Coilcraft Inc. 2021

This product may not be used in medical or high risk applications without prior Coilcraft approval. Specification subject to change without notice. Please check web site for latest information.