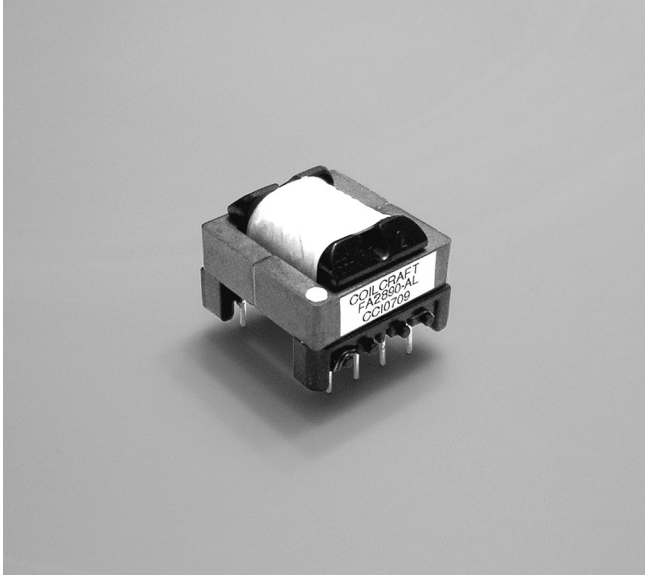




PFC Boost Inductor

For ON Semiconductor
NCP1606 PFC Controller



- Designed to operate in 100 Watt applications.
- Referenced as L_{BOOST} in application note AND8282/D.
- Auxiliary winding provides zero current detection (ZCD) information and can also supply power to the NCP1606.
- 1000 Vrms winding to winding and winding to core isolation

Core material Ferrite

Terminations RoHS compliant tin-silver over tin over copper over copper-steel

Weight 27.2 g

Ambient temperature -40°C to +85°C with I_{rms} current, +85°C to +125°C with derated current

Storage temperature Component: -40°C to +85°C.
Tray packaging: -40°C to +80°C

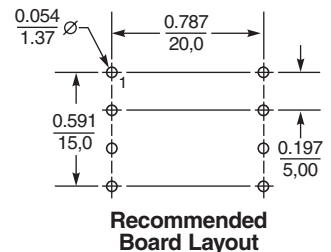
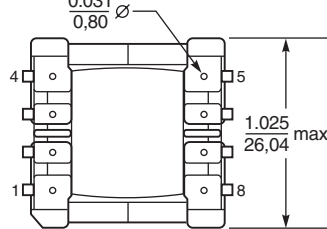
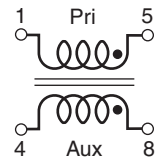
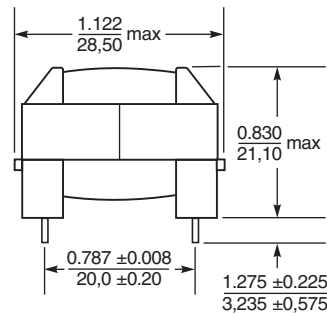
Moisture Sensitivity Level (MSL) 1 (unlimited floor life at <30°C / 85% relative humidity)

Packaging 36 parts per tray

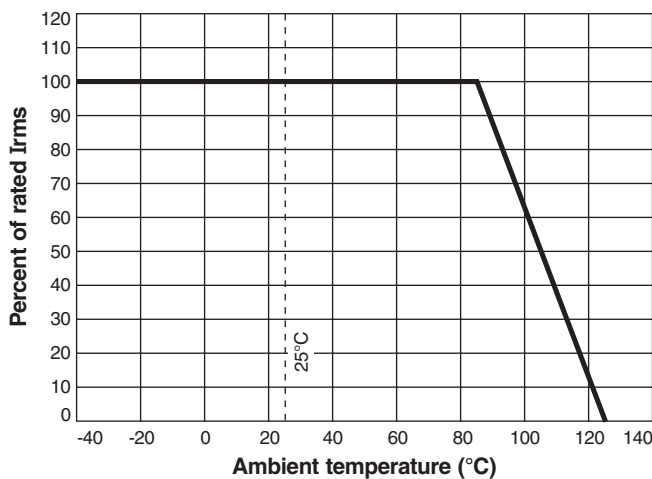
PCB washing Tested with pure water or alcohol only. For other solvents, see Doc787_PCB_Washing.pdf.

Part number	Inductance ¹ ±15% (µH)	Inductance at I _{pk} min (µH)	I _{pk} (A)	DCR max (Ohms) ²		Leakage inductance ³ max (µH)	Turns ratio pri : aux	I _{rms} ⁴ (A)
				pri	aux			
FA2890-AL	400.0	340.0	3.7	0.27	0.345	50.0	10 : 1	2.2

1. Inductance measured at 100 kHz, 0.1 V, 0 Adc using an Agilent/ HP 4284A impedance analyzer or equivalent.
2. DCR measured on Cambridge Technology micro-ohmmeter.
3. Leakage inductance is for the primary and measured with pins 4 and 8 shorted.
4. Current that causes a 40°C temperature rise from 25°C ambient.
5. Electrical specifications at 25°C.



Irms Derating



US +1-847-639-6400 sales@coilcraft.com
UK +44-1236-730595 sales@coilcraft-europe.com
Taiwan +886-2-2264 3646 sales@coilcraft.com.tw
China +86-21-6218 8074 sales@coilcraft.com.cn
Singapore + 65-6484 8412 sales@coilcraft.com.sg

Document 607 Revised 12/22/21
 © Coilcraft Inc. 2021
 This product may not be used in medical or high risk applications without prior Coilcraft approval. Specification subject to change without notice. Please check web site for latest information.